

JAC



J Series counterbalanced
battery forklift

JAC FORKLIFT

CPD13J / CPD16J / CPD18J / CPD20J
CPD25J / CPD30J / CPD35J



JAC HEAVY DUTY IMPORT & EXPORT CO.,LTD



***MATERIAL HANDLING EXPERTS
FROM AUTOMOTIVE QUALITY***



JAC HEAVY DUTY IMPORT & EXPORT CO.,LTD



ADDRESS: SHANGHAI ROAD, BAOHE INDUSTRIAL PARK, HEFEI, ANHUI, CHINA
PC. 230051



TEL: 86-551-62297986



FAX: 86-551-62297990

ISO 9001
ISO 14001
OHSAS 18001

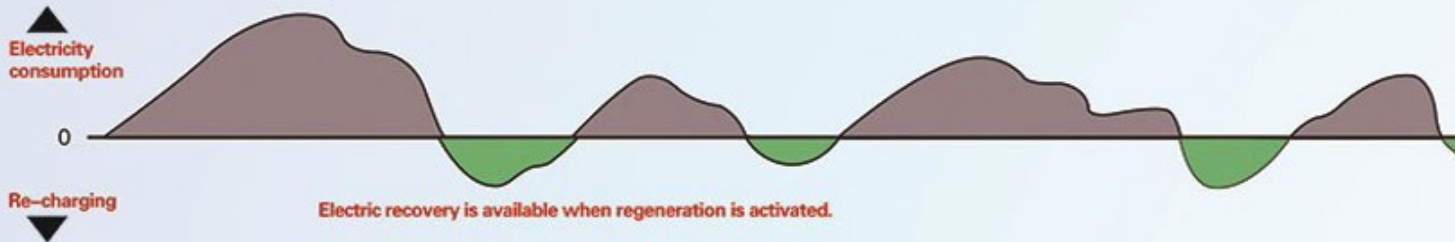
[http:// www.jacforklift.com](http://www.jacforklift.com)

E-mail:info@jac-forklift.com

Excellent operating performance

◆ Regeneration of battery

Electricity is collected to battery during braking,deacceleration and streeing to prolong functioning period of battery.



◆ Speed regulation and inching of lifting

The system is sentitive to displacement of valce rod for saving energy and precise stacking so as to prolong operation hours of battery.

◆ Automatic power off

The machine will be powered off in case it has been in neutral gear for over 5 seconds so as to save energy.

◆ Strengthened frame with low gravity center

Integrated and strengthened frame featuring improved carrying capacity.It is a frame with 4 supports designed for counterbalanced battery forklift(patent number:201220133447.2)

◆ Load-sensitive hydraulic system

Lifting speed is improved by 5%.

◆ Three-gear drive mode

Fast/intermediate/slow speed gears are available for operation in different conditions and for different distance.



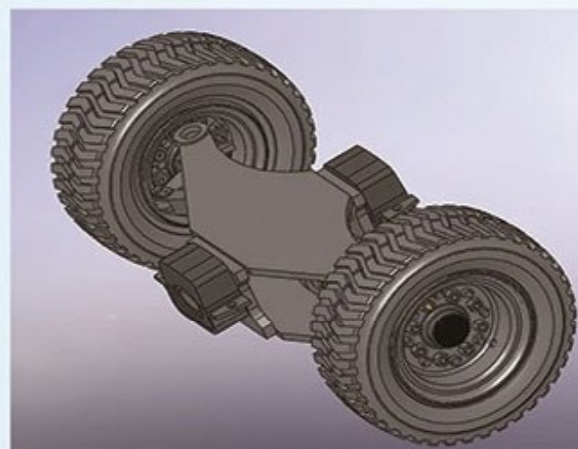
Driving confortablilit

◆ Shock absorption connecting steering bridge

Shock sbsorption steering axle reduces shocks while the machine is moving.

◆ Floating seat

The seat can be adjusted forward or backward and the back rest is also adjustalbe;
Shock absorption spring can be adjusted according to weight of oprator.





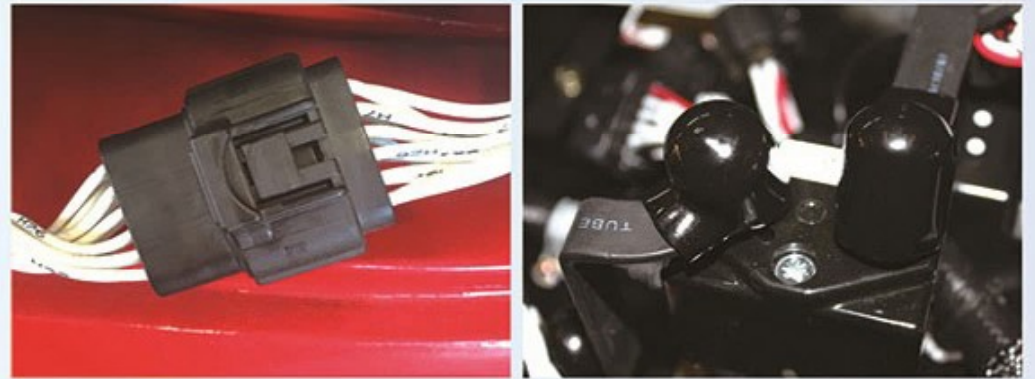
High safety and Reliability

◆ Water-proof

The imported water-proof connectors are more reliable

◆ Delayed power -off-The first in China

The machine will be powered off in case the machine has been powered on but not is use for at least 10 minutes, which is safe and energy-saving.

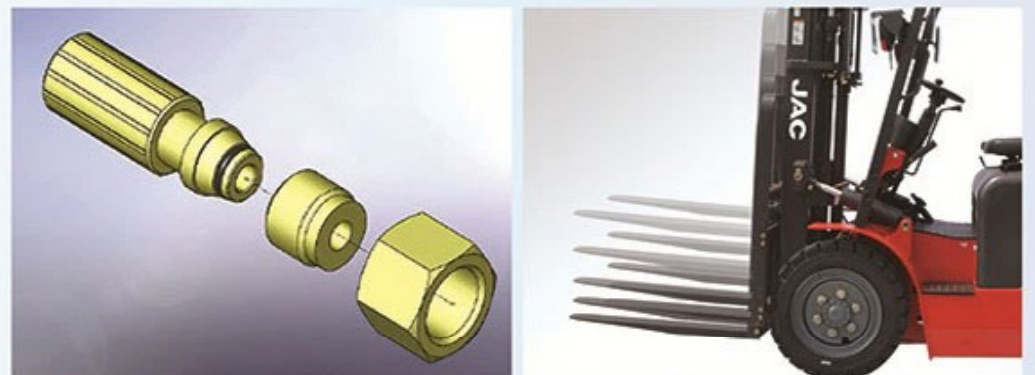


◆ 24° cone+Oring

The hydraulic system adopts the most advanced sealing.

◆ Buffer when descending

The forklift provides buffer when the loading is descending for safer and smoother operation.



◆ Neutral safety system

The neutral safety system eliminates accidents caused by unintended start of engine.

Convenient maintenance

◆ Readable Instruments

LED instruments clearly display operation conditions of forklift.

◆ The hood can be lifted to 80° for easy maintenance

◆ Lifting motor is located in the rear

◆ Controller is located in the rear



SPECIFICATIONS

Model			CPD13J	CPD16J	CPD18J	CPD20J	CPD25J	CPD30J	CPD35J							
1	Power Type		Battery	Battery	Battery	Battery	Battery	Battery	Battery							
2	Load Capacity	kg	1300	1600	1800	2000	2500	3000	3500							
3	Load center	mm	500	500	500	500	500	500	500							
4	Lift height	mm	3000	3000	3000	3000	3000	3000	3000							
5	Free lift height	mm	120	120	120	155	155	160	70							
6	Fork size	L*W*H	920 × 100 × 40			1070 × 122 × 40		1070 × 125 × 45	1070 × 125 × 50							
7	Mast tilt	FR/RR	6/10	6/10	6/10	6/12	6/12	6/12	6/12							
8	Min turning Radius	mm	1990	2030	2030	2200	2200	2497	2520							
9	Min Right angle stacking aisle width	mm	3397	3437	3437	3865	3865	4178	4204							
10	Min right angle aisle width	mm	2190	2230	2230	2400	2400	2703	2720							
11	Min ground clearance	mm	93			110	110	120	120							
12	Height of overhead guard	mm	2132	2132	2132	2172	2172	2180	2180							
13	Height of seat to overhead guard	mm	1020	1020	1020	990	990	980	980							
14	Overhang	mm	407	407	407	466	466	474	492							
15	Max driving speed	Full load	12		12		12		12							
16	Max Lifting speed	Full load	260	300	260	300	220	280	215	280	260	260	260	260		
17	Gradeability	%	15	15	15	15	15	15	15	15	15	15	10	10		
18	Overall length	Without forks	2158		2220		2220		2435		2435		2585		2603	
19	Over width	mm	1072		1072		1072		1163		1163		1250		1250	
20	Height mast lifted(with backrest)	mm	3930		3930		3930		4030		4030		4228		4228	
21	Height mast lowered	mm	1990		1990		1990		1995		1995		2065		2120	
22	Tyre	Front	6.00-9-10PR				7.00-12-12PR				28 × 9-15-14PR		28 × 9-15			
23		Rear	5.00-8-10PR				18 × 7-8-14PR				6.50-10-10PR					
24	Wheelbase	mm	1370		1370		1370		1520		1520		1700		1700	
25	Tread	FR/RR	894/920		894/920		894/920		973/960		973/960		1000/990		1000/990	
26	Self weight	Without load	2840		3000		3120		3850		4190		4960		5400	
27	Battery	Voltage/capacity	48/400		48/400		48/500		48/600		48/630		80/500		80/550	
28	motor	Driving	8		8		8		11.1		11.1		16.6		16.6	
29		lifting	7.5	10	7.5	10	7.5	10	8.6	12	8.6	12	13	13.5	13	13.5
30	Way of Control		BC	AC	BC	AC	BC	AC	BC	AC	BC	AC	BC	AC	BC	AC
31	Working pressure	Mpa	15.5		15.5		15.5		18.5		18.5		18.5		18.5	
32	Drawbar pull	KN	13		13		13		17		17		21		21	

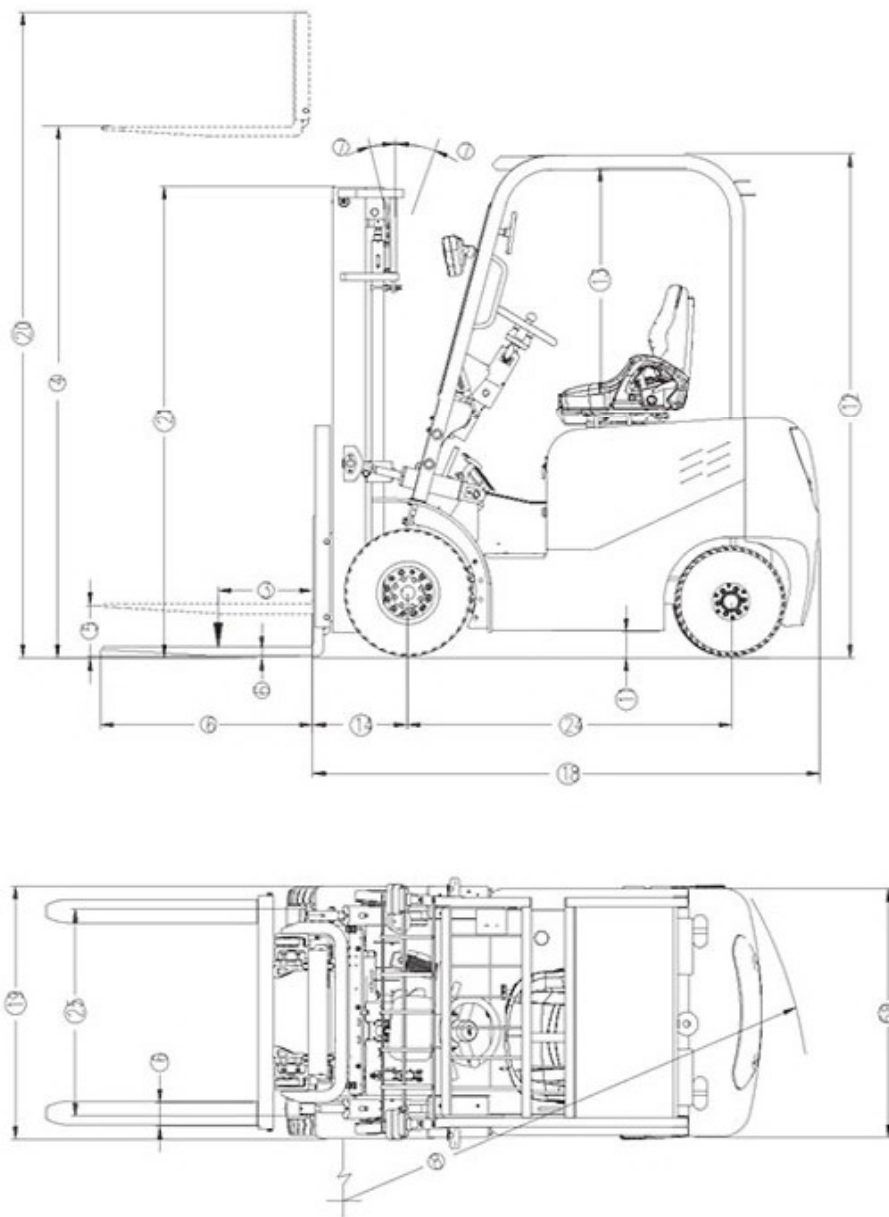
ENGINE TYPE SELECTION AND PARAMETERS

Forklift model	Battery size mm (L×W×H)	Battery capacity (Ah)
CPD13/16J	965 × 455 × 705	400
CPD18J	965 × 455 × 705	500
CPD13/16J/18J	965 × 455 × 705	390
	965 × 455 × 705	470
	965 × 455 × 705	550
	965 × 455 × 705	600
	965 × 455 × 705	600
CPD20J	1028 × 525 × 780	600
CPD25J	1028 × 525 × 780	630
CPD20/50J	1028 × 525 × 780	700
	1028 × 525 × 780	770
CPD30J	1141 × 612 × 805	500
CPD35J	1141 × 612 × 805	550
CPD30/35J	1141 × 612 × 805	560
	1141 × 612 × 805	600
	1141 × 612 × 805	650

CHARGER MODEL

Charger Model	Electric power		Connector model	Forklift model
	Voltage	Frequency		
48V60A	400V	50HZ	REMA160	CPD13/16J
48V70A	400V	50HZ	REMA160	CPD18J
48V80A	400V	50HZ	REMA320	CPD20/25J
80V70A	400V	50HZ	REMA320	CPD30/35J

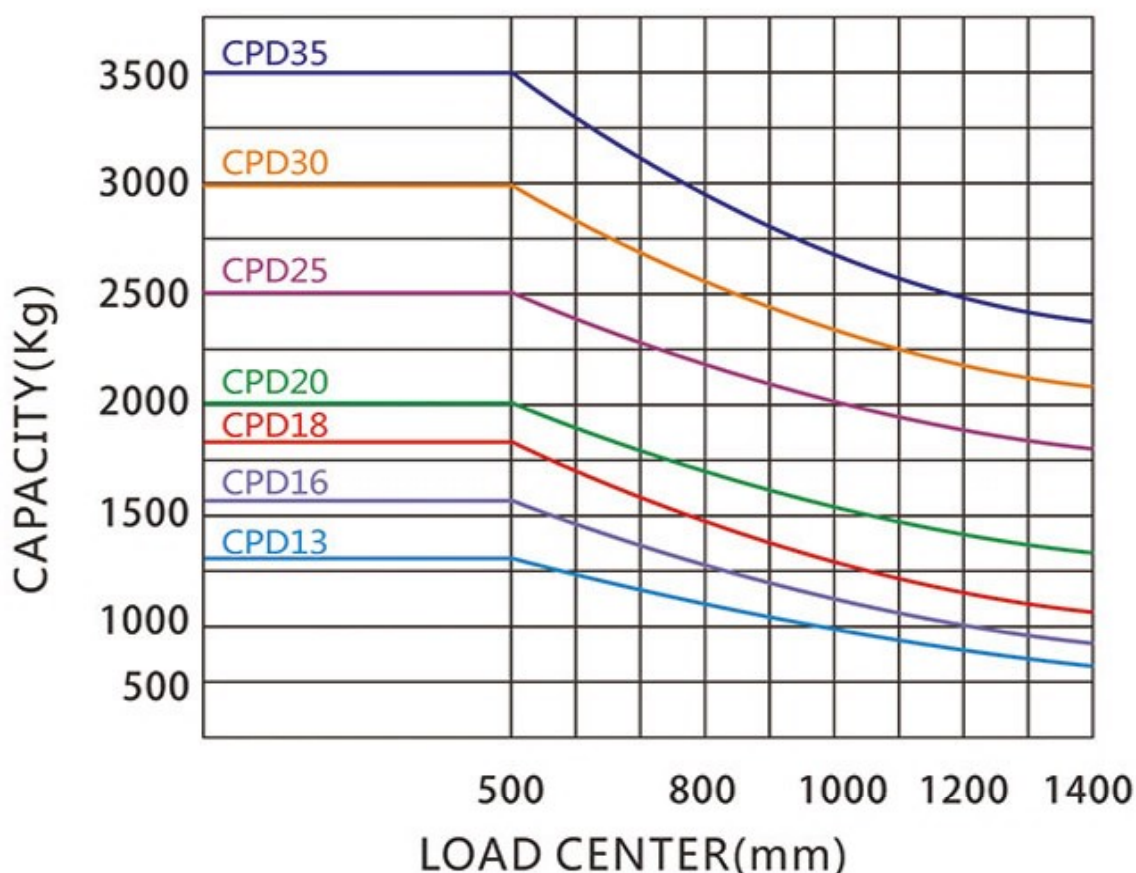
DIMENSIONAL DRAWING



STANDARD & OPTIONS EQUIPME

System	Standard Equipment	Optional equipment	
Electric system	ZAPI(Inmotion) controller	Curtis controller	
	charger	Imported battery	
	Combination meter	Alarming light	
	Combination switch	Fan	
	lifting speed regulator	heater	
	Front headlight	LED Front headlight	
	LED Tail light	Auto fluid-infusion battery	
	USB charger	LED tail light	
	Reverse buzzer	Voice reverse buzzer	
	wide-view mast	Duplex Full free mast	
Lifting system	Lowering buffer	Triplex Full free mast	
		hinged fork	
		Paper roll Clamp	
		Extended fork	
		fork shoes	
		side shifter	
		Carpet boom	
		Bale Clamp	
		Pull/push attachment	
		Rotating attachment	
		Special attachment	
	Drive,transmission and steering system	Pneumatic tyre	Solid tyre
			Environmental-friendly solid tyre
General	tool kits		
Overhead guard	Rear view	Three-cross&five-vertical protection net	
	Front/Rear Lamp shade	Wingshield	
		Cabin	
		Non-standard overhead guard	
Hydraulic system	2 spools	3 spools	
		4 spools	
Brake system	Service brake		
	Parking brake		
hood & bottom-plate	Floating seat	Safety belt	
	Cup set	Seat belt system alarm	
	Paper folder		

LOAD CAPACITY



Note: the vertical axis represents the CAPACITY and the horizontal axis represents the LOAD CENTER. The calculation of LOAD CENTER starts with the frontage of fork. The basic point of standard load refers to the center of a cube with load side 1000mm long. The CAPACITY will drop if the mast tilts forwards, a non-standard fork is adopted or the load width is excessive. The CAPACITY at the LOAD CENTER could be timely learnt of through the load curve.

WIDE-VIEW BASIC MAST

Lifting height	Load capacity																Height mast												Mast tilt angle						
	Counterbalanced forklift truck																1.3-1.8t				2-2.5t				3t					3.5t					
	1.3t		1.5t		1.8t		2t		2.5t		1t		1.5t		2t		2.5t		3t		3.5t		Height (Fork on ground)	Height (mast extended)		Height (Fork on ground)	Height (mast extended)			Height (Fork on ground)	Height (mast extended)		Height (Fork on ground)	Height (mast extended)	
	Single tyre	dual tyre	Single tyre	dual tyre	Single tyre	dual tyre	Single tyre	dual tyre	Single tyre	dual tyre	Single tyre	dual tyre	Single tyre	dual tyre	Single tyre	dual tyre	Single tyre	dual tyre	Single tyre	dual tyre	Single tyre	dual tyre	Single tyre	dual tyre	mm	mm	mm	mm		mm	mm	mm	mm	mm	mm
2000	1000	1000	1500	1500	1750	1750	2000	2000	2500	2500	—	—	—	—	3000	3000	3500	3500	1510	2930	2560	1495	2944	2594	1575	3230	2700	1620	3230	2700	6/12				
2500	1000	1000	1500	1500	1750	1750	2000	2000	2500	2500	—	—	—	—	3000	3000	3500	3500	1760	3430	3060	1745	3444	3094	1825	3730	3200	1870	3730	3200	6/12				
2700	1000	1000	1500	1500	1750	1750	2000	2000	2500	2500	—	—	—	—	3000	3000	3500	3500	1860	3630	3260	1845	3644	3294	1925	3930	3400	1970	3930	3400	6/12				
3000	1000	1000	1500	1500	1750	1750	2000	2000	2500	2500	—	—	—	—	3000	3000	3500	3500	2010	3930	3560	1995	3944	3594	2075	4230	3700	2120	4230	3700	6/12				
3300	1000	1000	1500	1500	1750	1750	2000	2000	2500	2500	—	—	—	—	3000	3000	3500	3500	2160	4230	3860	2145	4244	3894	2225	4530	4000	2270	4530	4000	6/12				
3500	1000	1000	1500	1500	1750	1750	2000	2000	2500	2500	—	—	—	—	3000	3000	3500	3500	2260	4430	4060	2245	4444	4094	2325	4730	4200	2370	4730	4200	6/12				
3600	1000	1000	1500	1500	1750	1750	2000	2000	2500	2500	—	—	—	—	3000	3000	3500	3500	2310	4530	4160	2295	4544	4194	2375	4830	4300	2420	4830	4300	6/12				
3700	1000	1000	1500	1500	1750	1750	2000	2000	2500	2500	—	—	—	—	3000	3000	3500	3500	2360	4630	4260	2345	4644	4294	2425	4930	4400	2470	4930	4400	6/12				
4000	1000	1000	1500	1500	1750	1750	2000	2000	2500	2500	—	—	—	—	2850	3000	3500	3500	2560	4930	4560	2545	4944	4594	2625	5230	4700	2670	5230	4700	6/12				
4250	950	1000	1400	1500	1650	1750	1900	2000	2100	2500	—	—	—	—	2600	3000	3300	3500	2685	5180	4810	2670	5194	4844	2750	5480	4950	2795	5480	4950	6/12				
4500	950	1000	1400	1450	1550	1700	1800	1900	1800	2400	—	—	—	—	2600	3000	3050	3500	2810	5630	5260	2795	5444	5094	2875	5730	5200	2920	5730	5200	6/12				
5000	850	950	1000	1300	1150	1500	1300	1700	1300	2200	—	—	—	—	2100	2850	2600	3150	3060	5930	5560	3045	5944	5594	3125	6230	5700	3170	6230	5700	6/6				
5500	—	650	—	1100	—	1300	—	1500	—	1700	—	—	—	—	2400	—	2850	3360	6430	6060	3345	6444	6094	3425	6730	6200	3470	6730	6200	3/6					
6000	—	550	—	750	—	900	—	1300	—	1400	—	—	—	—	2000	—	2850	3610	6930	6560	3595	6944	6594	3675	7230	6700	3720	7230	6700	3/6					

ZM2-STAGE FULL FREE MAST

Lifting height	Load capacity																Height mast												Mast tilt angle						
	Counterbalanced forklift truck																1.3-1.8t				2-2.5t				3t					3.5t					
	1.3t		1.5t		1.8t		2t		2.5t		3t		3.5t		Height (Fork on ground)	Height (mast extended)		Free lift height		Height (Fork on ground)	Height (mast extended)		Free lift height		Height (Fork on ground)	Height (mast extended)		Free lift height							
	Single tyre	dual tyre	Single tyre	dual tyre	Single tyre	dual tyre	Single tyre	dual tyre	Single tyre	dual tyre	Single tyre	dual tyre	Single tyre	dual tyre	mm	mm	mm	mm	mm	mm	mm	mm	mm	mm	mm	mm	mm	mm		mm	mm				
2000	1000	1000	1500	1500	1750	1750	2000	2000	2500	2500	3000	3000	3500	3500	1510	2930	2560	610	980	1495	2944	2594	460	810	1575	3230	2700	315	845	1575	3227	2697	315	845	6/12
2500	1000	1000	1500	1500	1750	1750	2000	2000	2500	2500	3000	3000	3500	3501	1760	3430	3060	860	1230	1745	3444	3094	710	1060	1825	3730	3200	565	1095	1825	3727	3197	565	1095	6/12
2700	1000	1000	1500	1500	1750	1750	2000	2000	2500	2500	3000	3000	3500	3501	1860	3630	3260	960	1330	1845	3644	3294	810	1160	1925	3930	3400	665	1195	1925	3927	3397	665	1195	6/12
3000	1000	1000	1500	1500	1750	1750	2000	2000	2500	2500	3000	3000	3500	3502	2010	3930	3560	1110	1480	1995	3944	3594	960	1310	2075	4230	3700	815	1345	2075	4227	3697	815	1345	6/12
3300	1000	1000	1500	1500	1750	1750	2000	2000	2500	2500	3000	3000	3500	3503	2160	4230	3860	1260	1630	2145	4244	3894	1110	1460	2225	4530	4000	965	1495	2225	4527	3997	965	1495	6/12
3500	1000	1000	1500	1500	1750	1750	2000	2000	2500	2500	3000	3000	3500	3504	2260	4430	4060	1360	1730	2245	4444	4094	1210	1560	2325	4730	4200	1065	1595	2325	4727	4197	1065	1595	6/12
3600	1000	1000	1500	1500	1750	1750	2000	2000	2500	2500	3000	3000	3500	3505	2310	4530	4160	1410	1780	2295	4544	4194	1260	1610	2375	4830	4300	1115	1645	2375	4827	4297	1115	1645	6/12
3700	1000	1000	1500	1500	1750	1750	2000	2000	2500	2500	3000	3000	3500	3506	2360	4630	4260	1460	1830	2345	4644	4294	1310	1660	2425	4930	4400	1165	1695	2425	4927	4397	1165	1695	6/12
4000	1000	1000	1500	1500	1750	1750	2000	2000	2500	2500	3000	3000	3500	3507	2560	4930	4560	1660	2030	2545	4944	4594	1510	1860	2625	5230	4700	1365	1895	2625	5227	4697	1365	1895	6/12
4250	950	1000	1400	1500	1650	1750	1900	2000	2100	2500	2600	3000	3300	3508	2685	5180	4810	1785	2155	2670	5194	4844	1635	1985	2750	5480	4950	1490	2020	2750	5477	4947	1490	2020	6/12
4500	950	1000	1400	1450	1550	1700	1800	1900	1800	2400	2600	3000	3050	3509	2810	5430	5060	1910	2280	2795	5444	5094	1760	2110	2875	5730	5200	1615	2145	2875	5727	5197	1615	2145	6/12

CM3-STAGE FULL FREE MAST

Lifting height	Load capacity																Height mast												Mast tilt angle						
	Counterbalanced forklift truck																1.3-1.8t				2-2.5t				3t					3.5t					
	1.3t		1.5t		1.8t		2t		2.5t		3t		3.5t		Height (Fork on ground)	Height (mast extended)		Free lift height		Height (Fork on ground)	Height (mast extended)		Free lift height		Height (Fork on ground)	Height (mast extended)		Free lift height							
	Single tyre	dual tyre	Single tyre	dual tyre	Single tyre	dual tyre	Single tyre	dual tyre	Single tyre	dual tyre	Single tyre	dual tyre	Single tyre	dual tyre	mm	mm	mm	mm	mm	mm	mm	mm	mm	mm	mm	mm	mm	mm		mm					
3000	—	—	—	—	—	—	—	—	—	—	—	—	—	—	—	—	—	—	—	—	—	—	—	—	—	—	—	—	—	—	—	—	—	—	6/6
3300	—	—	—	—	—	—	—	—	—	—	—	—	—	—	—	—	—	—	—	—	—	—	—	—	—	—	—	—	—	—	—	—	—	—	6/6
3600	900	900	1400	1400	1600	1600	1900	1900	2400	2400	2900	3000	3400	3400	1710	4530	4160	810	1180	1745	4544	4194	750	1100	1800	3030	2500	520	1050	1800	3030	2500	520	1050	6/6
4000	900	900	1350	1400	1600	1600	1900	1900	2400	2400	2850	3000	3350	3400	1845	4930	4560	940	1310	1880	4944	4594	885	1235	1935	3165	2635	705	1235	1935	3165	2635	705	1235	6/6
4200	900	900	1350	1400	1550	1600	1850	1900	2400	2400	2800	3000	3300	3400	1910	5130	4760	1076.667	1446.667	1945	5144	4794	950	1300	2000	3230	2700	770	1300	2000	3230	2700	770	1300	6/6
4350	900	900	1350	1350	1550	1550	1700	1900	2400	2400	2700	2900	3200	3400	1960	5280	4910	1093.333	1463.333	1995	5294	4944	1000	1350	2050	3280	2750	820	1350	2050	3280	2750	820	1350	6/6
4500	850	850	1300	1300	1400	1550	1700	1800	1700	2300	2600	2800	3100	3300	2010	5430	5060	1110	1480	2045	5444	5094	1050	1400	2100	3330	2800	870	1400	2100	3330	2800	870	1400	6/6
4800	850	850	1100	1300	1400	1550	1700	1800	1700	2300	2400	2700	2900	3200	2110	5730	5360	1143.333	1513.333	2145	5744	5394	1150	1500	2200	3430	2900	970	1500	2200	3430	2900	970	1500	6/6
5000	800	850	1100	1300	1150	1500	1500	1750	1500	2250	2100	2350	2600	2900	2180	5930	5560	1275	1645	2215	5944	5594	1220	1570	2265	3495	2965	1035	1565	2265	3495	2965	1035	1565	6/6
5500	700	800	850	1250																															