

Model:
CQDH15C



AC

EPS
Option



Advantages:

SAFETY AND STABILITY

- Advanced AC control system eliminating the motor brushes and directional contactor, which makes the minimal maintenance requirements.
- Stepless speed control Intelligentized regenerative brake system: increase overall truck performance by decreasing battery charge intervals.
- Equipped with adjustable hand-rest, adapted to different operator.
- Multi-function display: battery status, hour meter, fault indicator etc.
- Two sides-way battery with roll-out system is very convenient to replace batteries.
- Damping cushion for low-noise operation.
- Built-in pressure relief valve protects the trucks from overloads.
- Emergency power disconnect.

STRUCTURAL

- Low Center of Gravity ensures the stable operation.
- Vertical driving wheel has a small turning radius and easy to maintain. The motor structure is water-proof and dust-proof.
- The Scissor Reach Forks is operated by electric controller, which makes operation stable and no impact.

SERVICEABILITY

- Low battery protection setting prolongs the battery use time.
- CANbus technology reduces wiring complexity and increase reliability.
- All pivot points have grease fitting and serviceable bushing, reducing component wear and extending component life.
- The back cover is easy to open for maintenance and adjustment of parts of valve, oil tube and electronic parts.

Option:

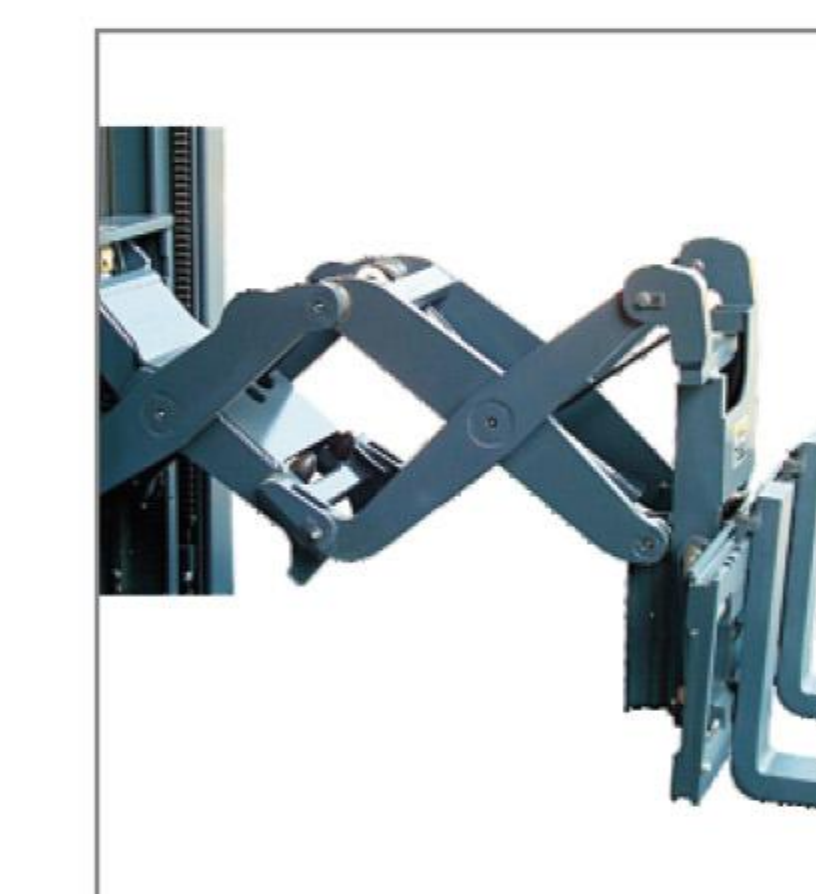
- Straddle legs
- Double front wheels
- Side shift
- Double scissors
- Full free lift masts



Vertically mounted drive motor with CANbus technology reduces wiring complexity and increase reliability.



Large cab with dead man power off switch, Multi-function display: battery state, hour meter, fault indicator etc.



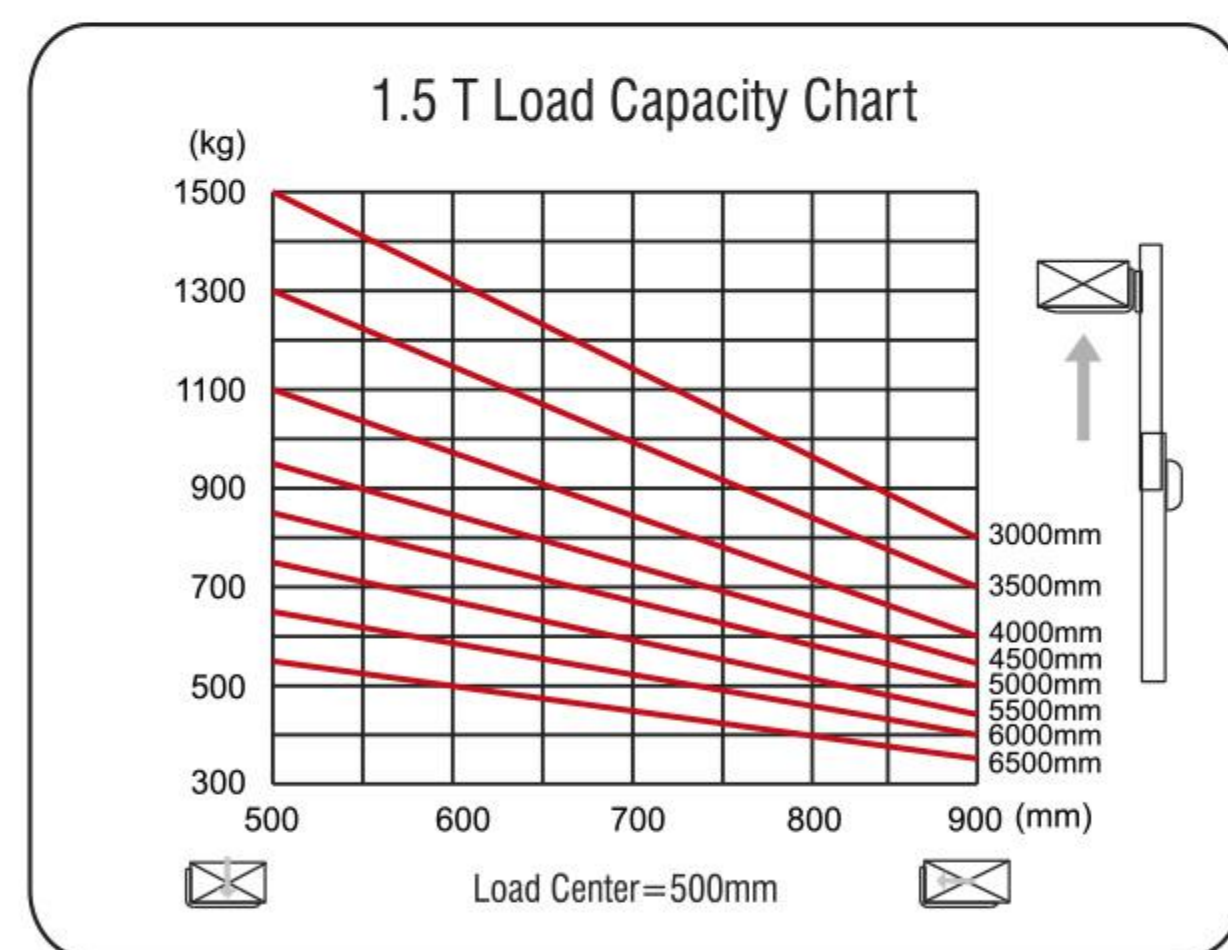
The optional of double scissors forks.



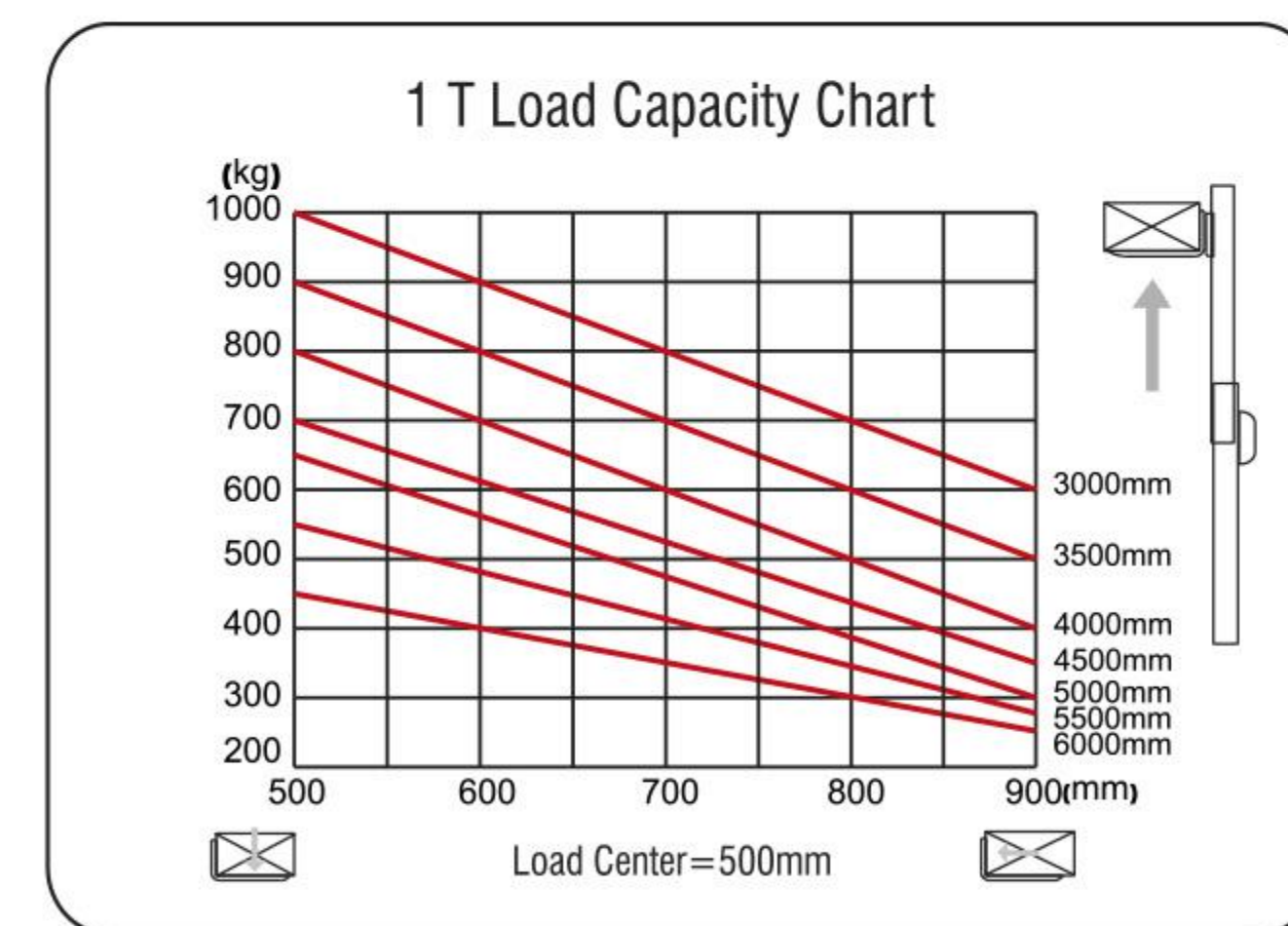
Side battery with roll-out system convenient to replace batteries. The battery upside cover makes you easy to fill the battery.

Model: CQDH15C

AC EPS
Option



CQDH15C (single scissor)

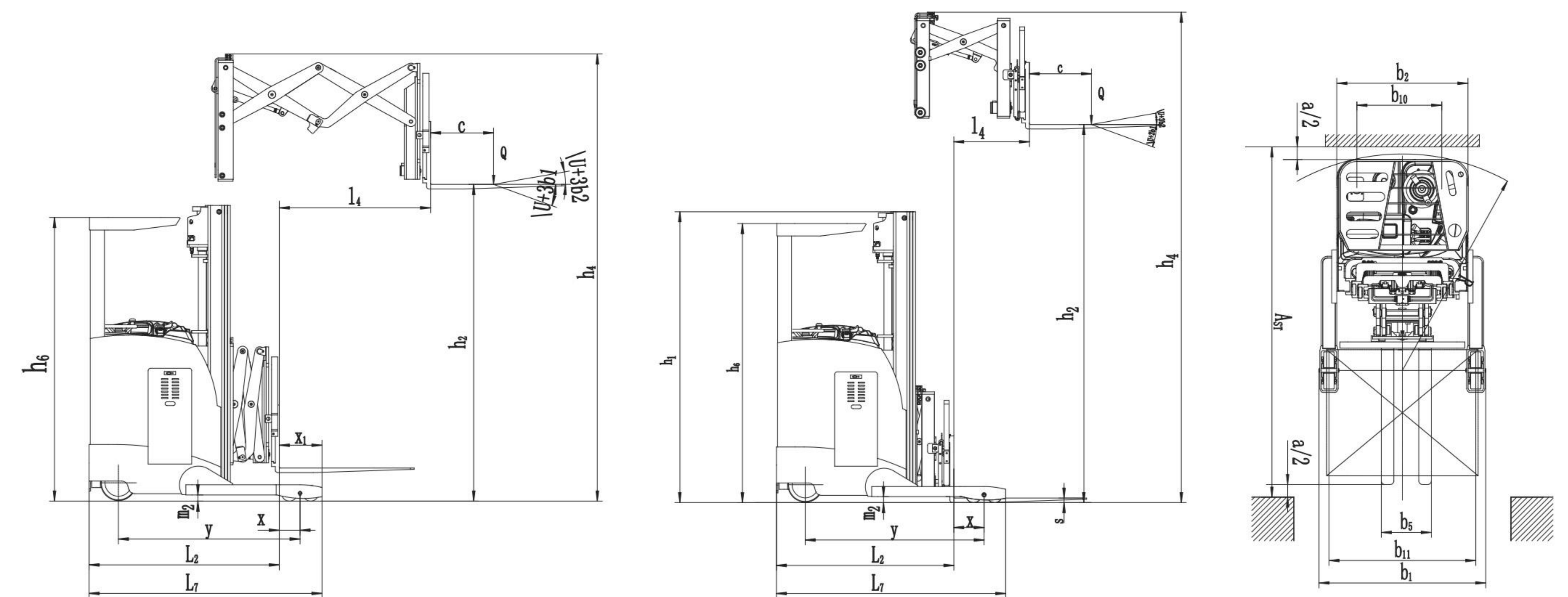


CQDH15C (double scissors)

Model		CQDH15C (single scissor)				CQDH15C (double scissors)			
		battery	battery	battery	battery	battery	battery	battery	battery
Drive type		battery	battery	battery	battery	battery	battery	battery	battery
Load capacity/Rated load	Q(kg)	1500	1500	1500	1500	1000	1000	1000	1000
Load centre distance	c(mm)	500	500	500	500	500	500	500	500
Load distance, centre of drive axle fork	x(mm)	334	309	246	246	159	135	159	135
Tyre size, front	mm	280x82+160x60	280x82+160x60	280x82+160x60x2	280x82+160x60x2	280x82+160x60	280x82+160x60	280x82+160x60	280x82+160x60
Tyre size, rear	mm	125x82(4)	125x82(4)	125x82x4	125x82x4	125x82(4)	125x82(4)	125x82(4)	125x82(4)
Wheels, number front rear(x=driven wheels)		1+2	1+2	1x+2/4	1x+2/4	1+2	1+2	1+2	1+2
Tilt of mast/fork carriage forward/backward	Grad	2/5	2/5	2/5	2/5	2/5	2/5	2/5	2/5
Height, mast lowered	h ₁ (mm)	2125 2375 2625	2185 2345 2505 2675	2125 2375 2625	2185 2345 2505 2675 2840	2125 2375 2625	2185 2345 2505 2675	2125 2375 2625	2185 2345 2505 2675
Free lift	h ₂ (mm)	~ ~ ~	1575 1700 1825 2000	~ ~ ~	1776 1776 2010 2080 2240	~ ~ ~	1575 1700 1825 2000	~ ~ ~	1575 1700 1825 2000
Max. lift height	h ₃ (mm)	3000 3500 4000	4500 5000 5500 6000	3000 3500 4000	4500 5000 5500 6000 6500	3000 3500 4000	4500 5000 5500 6000	3000 3500 4000	4500 5000 5500 6000
Height, mast extended	h ₄ (mm)	3881 4381 4881	5381 5881 6381 6881	3900 4400 4900	5400 5900 6400 6900 7400	4035 4535 5035	5535 6035 6535 7035	4035 4535 5035	5535 6035 6535 7035
Height of overhead guard	h ₅ (mm)	2246	2246	2246	2246	2246	2246	2246	2246
Overall width	b ₁ /b ₂ (mm)	1310/1040	1310-1400/1040	1295/1040	1295/1040	1308/1040	1308/1040	1370/1040	1370/1040
Overall length	l ₁ (mm)	2409	2435	2615	2616	2585	2609	2585	2609
Length to face of forks	l ₂ (mm)	1339	1365	1518	1518	1515	1539	1515	1539
Fork Dimension	s/e/l(mm)	35/100/1070	35/100/1070	35/100/1070	35/100/1070	35/100/1070	35/100/1070	35/100/1070	35/100/1070
Reach distance	l ₃ (mm)	500	500	600	600	1200	1200	1200	1200
Fork height, lowered	h ₆ (mm)	130	130	130	130	130	130	130	130
Distance of "X" (see below diagram)	mm	450	450	450	450	350	350	350	350
Overall length (excluding the fork)	mm	1868	1868	1868	1868	1868	1868	1868	1868
Ground clearance, centre of wheelbase	m ₁ (mm)	65	65	49	49	65	65	65	65
Aisle width for pallets 1000x1200 crossways	A ₁ (mm)	2814	2839	2956	2956	2951	2971	2951	2971
Aisle width for pallets 800x1200 lengthways	A ₂ (mm)	2871	2902	3027	3027	3034	3056	3034	3056
Turning radius	W ₁ (mm)	1718	1718	1791	1791	1718	1718	1718	1718
Travel speed, laden/unladen	Km/h	6.5/7	6.5/7	6.5/7	6.5/7	6.5/7	6.5/7	6.5/7	6.5/7
Lift speed, laden/unladen	m/s	0.135/0.16 ¹	0.135/0.16 ¹	0.27/0.4 ³	0.27/0.4 ³	0.135/0.16	0.135/0.16	0.135/0.16	0.135/0.16
Lowering speed, laden/unladen	m/s	0.15/0.12 ²	0.15/0.12 ²	0.45/0.36 ⁴	0.45/0.36 ⁴	0.15/0.12	0.15/0.12	0.15/0.12	0.15/0.12
Battery voltage, nominal capacity K5	V/Ah	24/420(560)	24/420(560)	36/700	36/700	24/420(560)	24/420(560)	24/420(560)	24/420(560)
Battery weight	kg	450	450	810	810	450	450	450	450
Battery dimension l/w/h	mm	770x336x610	770x336x610	978x395x765	978x395x765	770x336x610	770x336x610	770x336x610	770x336x610
Service weight (with battery)	kg	2450 2500 2560	2700 2800 2900 3000	3130 3180 3230	3370 3470 3570 3670 3770	2480 2530 2590	2730 2830 2930 3030	2480 2530 2590	2730 2830 2930 3030

- 1 Normal Lifting speed
- 2 Normal lowering speed
- 3 High Lifting speed (3 times higher than normal type)
- 4 High Lowering speed (3 times higher than normal type)

DIMENSIONS





Model:
CQDH18C

Hot Sale

AC **EPS**
Option

Advantages:

SAFETY AND STABILITY

- AC motor drive with high efficiency, no need to replace carbon brush, very good ramp starting performance.
- Two model function can control the speed of lift and lowering.
- Low center of gravity, excellent stability for operation.
- Small turning radius, good turning performance.
- With advanced variable frequency AC motor free maintenance and excellent performance.
- Can control the speed of driving and lifting in the same time.
- Shock absorber system support good noise reduction.
- Wide view mast and clear visibility.
- With full free lifting, can work in the limited roof environment.
- Import proportional hydraulic valve, adjustable speed for lifting/lowering.
- Multi-function display: battery status, hour meter, fault code, slow running state, etc

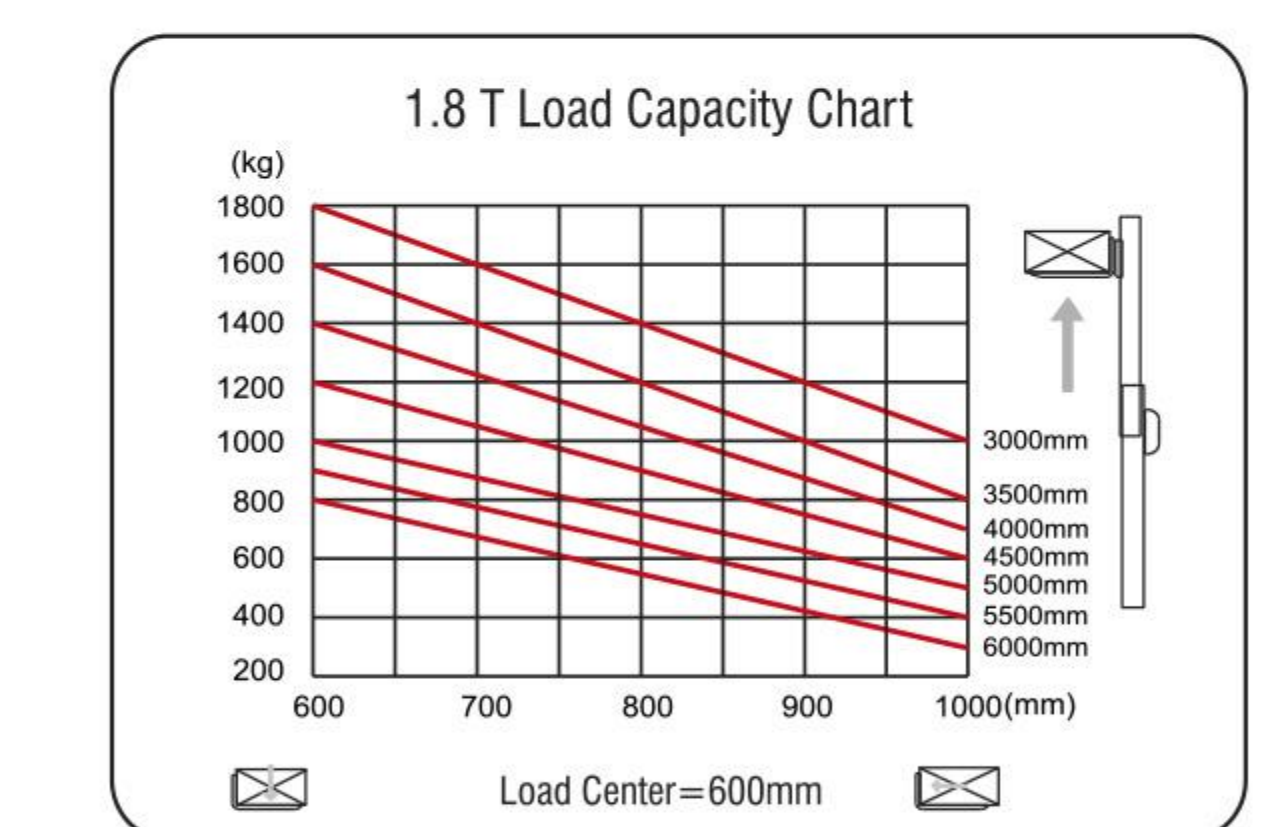
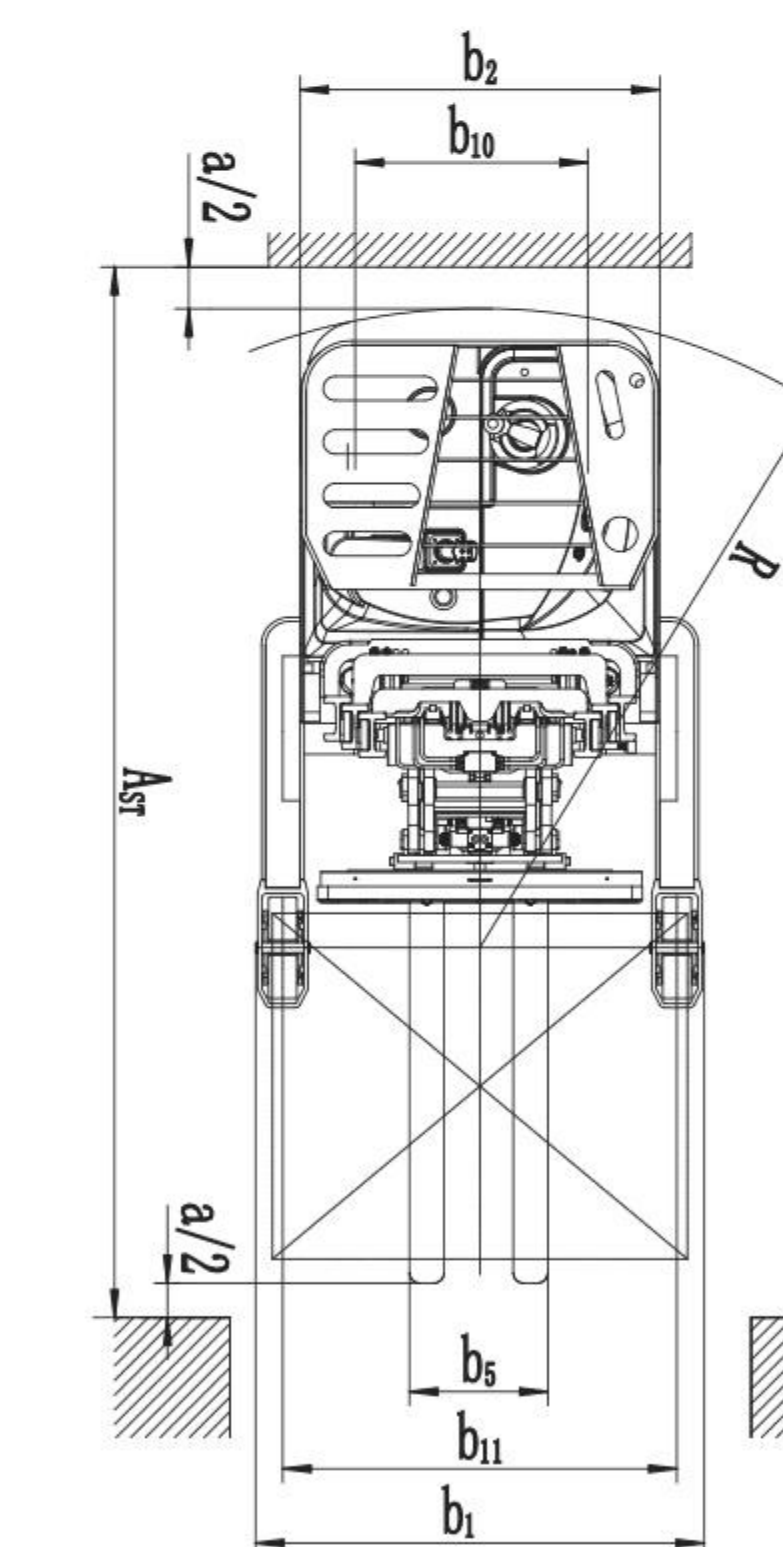
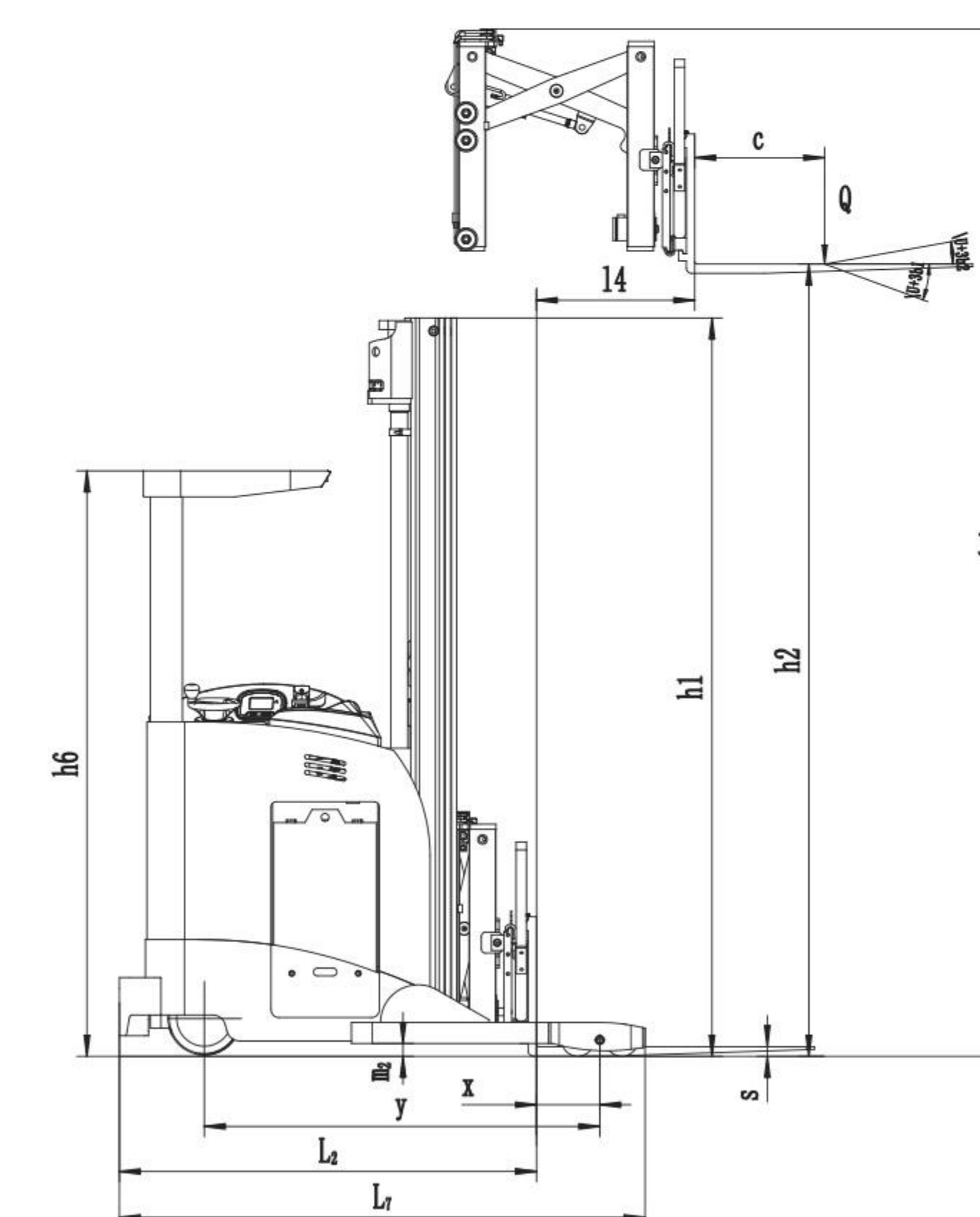
- Big power controller (350A) with big power electric motor (10KW), support excellent reliability.
- Double scissors reach fork let the reach distance up to 1000mm.
- The mast fixed with the frame, when fork move forward, the mast can become the balance weight, reduce the total service weight.
- With advanced 36V electric control system, smaller electric current, ensure the reliability of the battery system.
- High speed of lifting and lowering, 300% faster than normal type truck.

STRUCTURAL

- Side way battery is very convenient to do maintenance and replace batteries.
- CANbus technology reduces wiring complexity, making the line clear and orderly. increases the truck's reliability and easy to repair.
- The Mast can be separate from the frame, very good interchange ability (option).

Model	CQDH18C (single scissor)							
Drive type	battery				battery			
Load capacity/Rated load	Q(kg)	1800			1800			
Load centre distance	c(mm)	600			600			
Load distance, centre of drive axle fork	x(mm)	246			246			
Tyre size, front	mm	280x82+160x60x2			280x82+160x60x2			
Tyre size, rear	mm	125x82(4)			125x82(4)			
Wheels, number front rear(x=driven wheels)		1x+2/4			1x+2/4			
Tilt of mast/fork carriage forward/backward	Grad	2/5			2/5			
Height, mast lowered	h ₁ (mm)	2125	2375	2625	2185	2345	2505	2675
Free lift	h ₂ (mm)	~	~	~	1575	1700	1825	2000
Max. lift height	h ₃ (mm)	3000	3500	4000	4500	5000	5500	6000
Height, mast extended	h ₄ (mm)	3900	4400	4900	5400	5900	6400	6900
Height of overhead guard	h ₅ (mm)	2246			2246			
Overall width	b ₁ /b ₂ (mm)	1295/1040			1295/1040			
Overall length	l ₁ (mm)	2716			2716			
Length to face of forks	l ₂ (mm)	1618			1618			
Fork Dimension	s/e/l(mm)	40/100/1070			40x100x1070			
Reach distance	l ₃ (mm)	500			500			
Fork height, lowered	h ₆ (mm)	130			130			
Distance of "X" (see below diagram)	mm	450			450			
Overall length (excluding the fork)	mm	2023			2023			
Ground clearance, centre of wheelbase	m ₁ (mm)	49			49			
Aisle width for pallets 1000x1200 crossways	A ₁ (mm)	3013			3013			
Aisle width for pallets 800x1200 lengthways	A ₂ (mm)	3085			3085			
Turning radius	W ₁ (mm)	1848			1848			
Travel speed, laden/unladen	Km/h	6.5/7			6.5/7			
Lift speed, laden/unladen	m/s	0.2/0.3			0.2/0.3			
Lowering speed, laden/unladen	m/s	0.32/0.312			0.32/0.312			
Battery voltage, nominal capacity K5	V/Ah	36/700			36/700			
Battery weight	kg	810			810			
Battery dimension l/w/h	mm	978x395x765			978x395x765			
Service weight (with battery)	kg	3310	3360	3410	3550	3650	3750	3850

DIMENSIONS



CQDH18C (single scissor)

AC **EPS**
Option

Hot Sale

Model:
CQDH18C



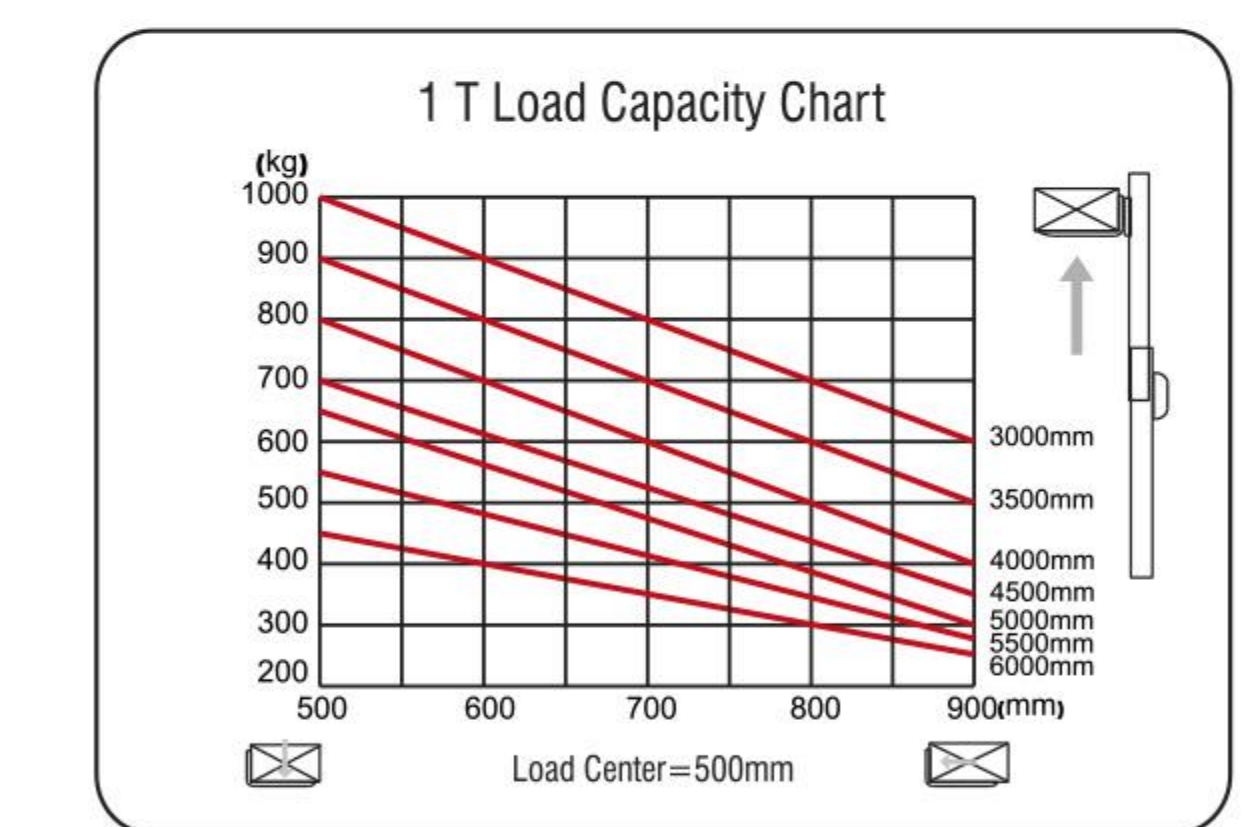
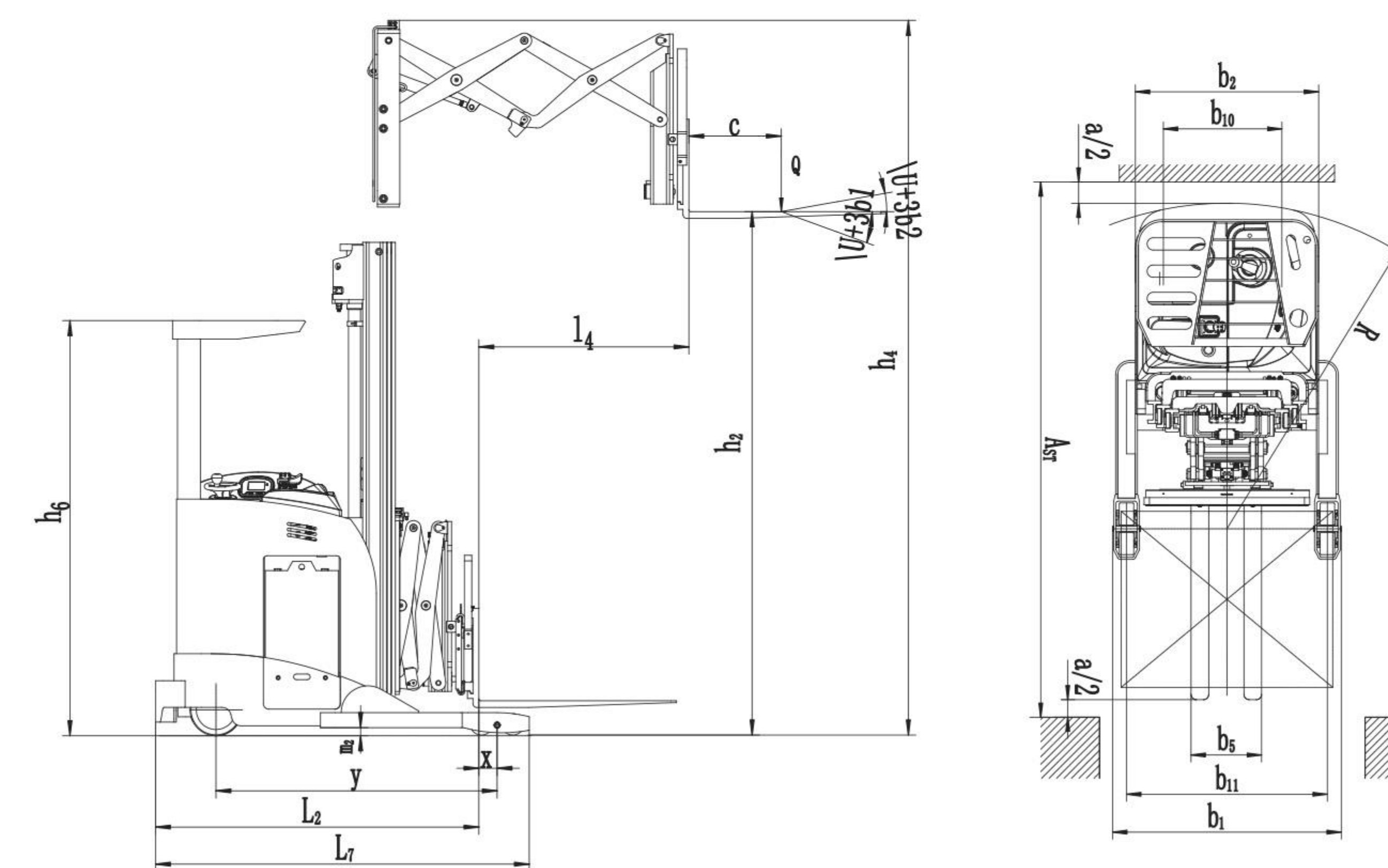
Multi function display.



Control handle with integrated thumb stick, allows smooth operation of (1) Travel, (2) Lift/low, (3) controls Tilt and Fork Reach.

Model	CQDH18C (double scissors)									
Drive type	battery					battery				
Load capacity/Rated load	Q(kg)	1000			1000					
Load centre distance	c(mm)	600			600					
Load distance, centre of drive axle fork	x(mm)	123			99					
Tyre size, front	mm	280x82+160x60x2			280x82+160x60x2					
Tyre size, rear	mm	125x82(4)			125x82(4)					
Wheels, number front rear(x=driven wheels)		1x+2/4			1x+2/4					
Tilt of mast/fork carriage forward/backward	Grad	2/5			2/5					
Height, mast lowered	h ₁ (mm)	2125	2375	2625	2185	2345	2505	2675	2840	
Free lift	h ₂ (mm)	~	~	~	1575	1700	1825	2000	2125	
Max. lift height	h₃(mm)	3000	3500	4000	4500	5000	5500	6000	6500	
Height, mast extended	h ₄ (mm)	4035	4535	5035	5535	6035	6535	7035	7535	
Height of overhead guard	h ₅ (mm)	2246			2246					
Overall width	b ₁ /b ₂ (mm)	1298/1040			1298/1040					
Overall length	l ₁ (mm)	2585			2609					
Length to face of forks	l ₂ (mm)	1726			1750					
Fork Dimension	s/e/l(mm)	40/100/1070			40x100x1070					
Reach distance	l ₃ (mm)	1200			1200					
Fork height, lowered	h ₆ (mm)	130			130					
Distance of "X" (see below diagram)	mm	450			450					
Overall length (excluding the fork)	mm	2023			2023					
Ground clearance, centre of wheelbase	m ₁ (mm)	49			49					
Aisle width for pallets 1000x1200 crossways	A ₁ (mm)	3110			3131					
Aisle width for pallets 800x1200 lengthways	A ₂ (mm)	3197			3220					
Turning radius	W ₁ (mm)	1848			1848					
Travel speed, laden/unladen	Km/h	6.5/7			6.5/7					
Lift speed, laden/unladen	m/s	0.2/0.3			0.2/0.3					
Lowering speed, laden/unladen	m/s	0.32/0.312			0.32/0.312					
Battery voltage, nominal capacity K5	V/Ah	36/700			36/700					
Battery weight	kg	810			810					
Battery dimension l/w/h	mm	978x395x765			978x395x765					
Service weight (with battery)	kg	3460	3510	3560	3700	3800	3900	4000	4100	

DIMENSIONS



CQDH18C (double scissors)

Electric Fork Reach Truck



Model:
CQDH20C

Max. lift height:
9000mm

AC **EPS**



Hot Sale

Advantages:

SAFETY AND PRODUCTIVITY

- Powered by a large AC drive motor, no need to replace carbonbrush, excellent inclined ramp starting performance.
- EPS as standard, presenting a light and relaxing steering experience in every turn.
- Two model function can control the speed of lift and lowering.
- Low center of gravity, excellent stability during operation.
- Small turning radius, good turning performance.
- The speed of driving and lifting is controllable simultaneously.
- Shock absorber system reduces the operation noise in great deal.
- Wide view mast and clear visibility.
- With full free lifting, able to work in confined space.
- Imported proportional hydraulic valve, adjustable speed for lifting/lowering.
- Multi-function display: battery status, hour meter, fault code, slowrunning state, etc.
- 1000mm reaching distance with double scissors.
- The mast fixed with the frame, when forks move forward, the mast becomes the balance weight.
- Advanced 36V electric control system, smaller electric current, ensuring the reliability of the battery system.
- High speed of lifting and lowering, 300% faster than normal typetruck.

STRUCTURAL

- Side way battery, easy to replace and service.
- CANbus technology reduces wiring complexity, making the lineclear and orderly. increases the truck's reliability and easy to repair.
- The Mast can be separate



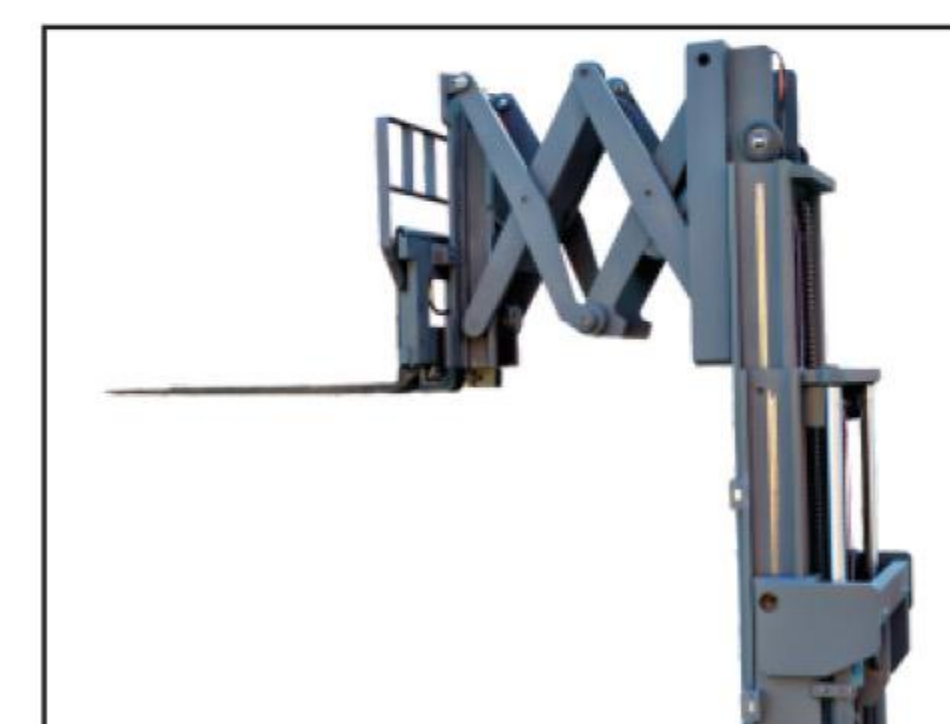
Joystick Controller
Finger-operated joystick controller, designed for smooth and precise control of multiple functions.



Electric Power Steering
Electric Power Steering as standard feature, with smart steering wheel present a light and relaxing steering experience in operation.



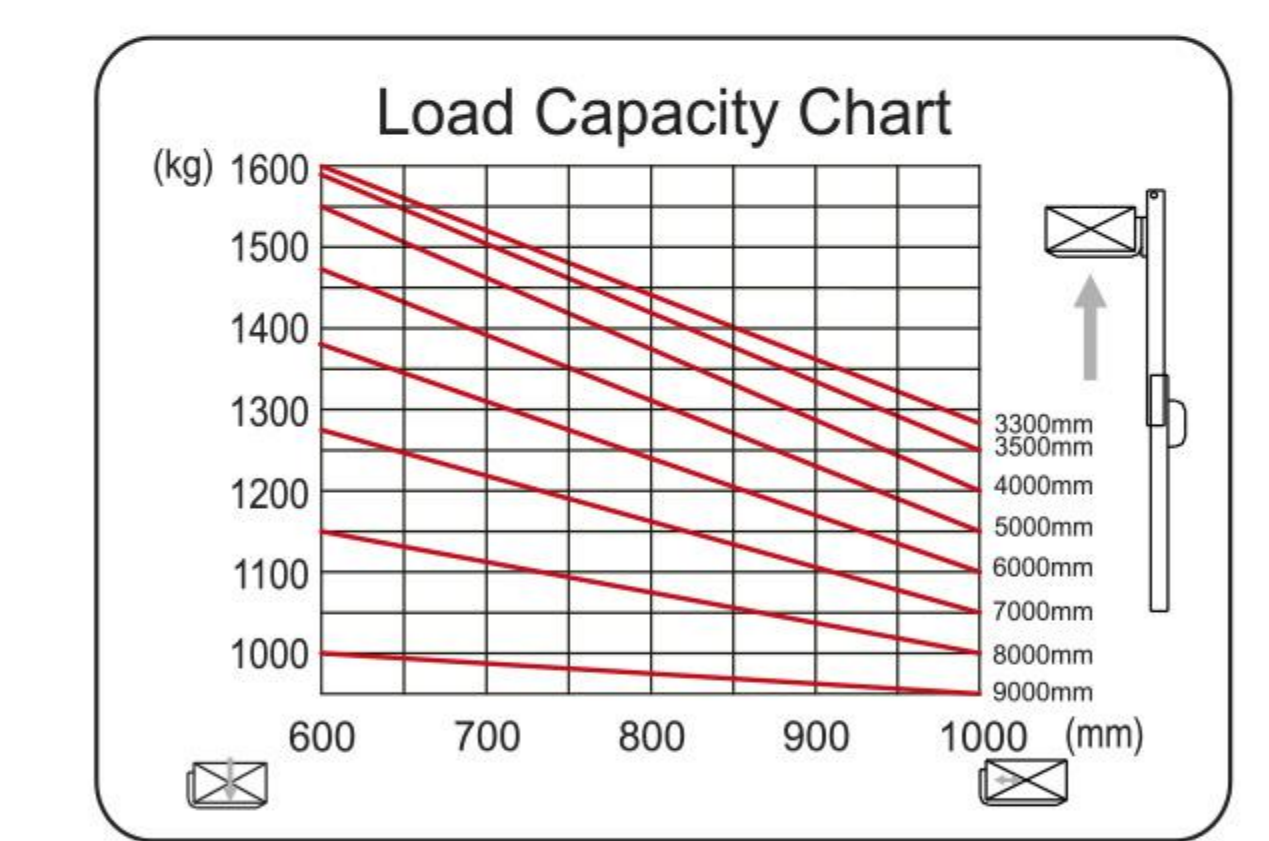
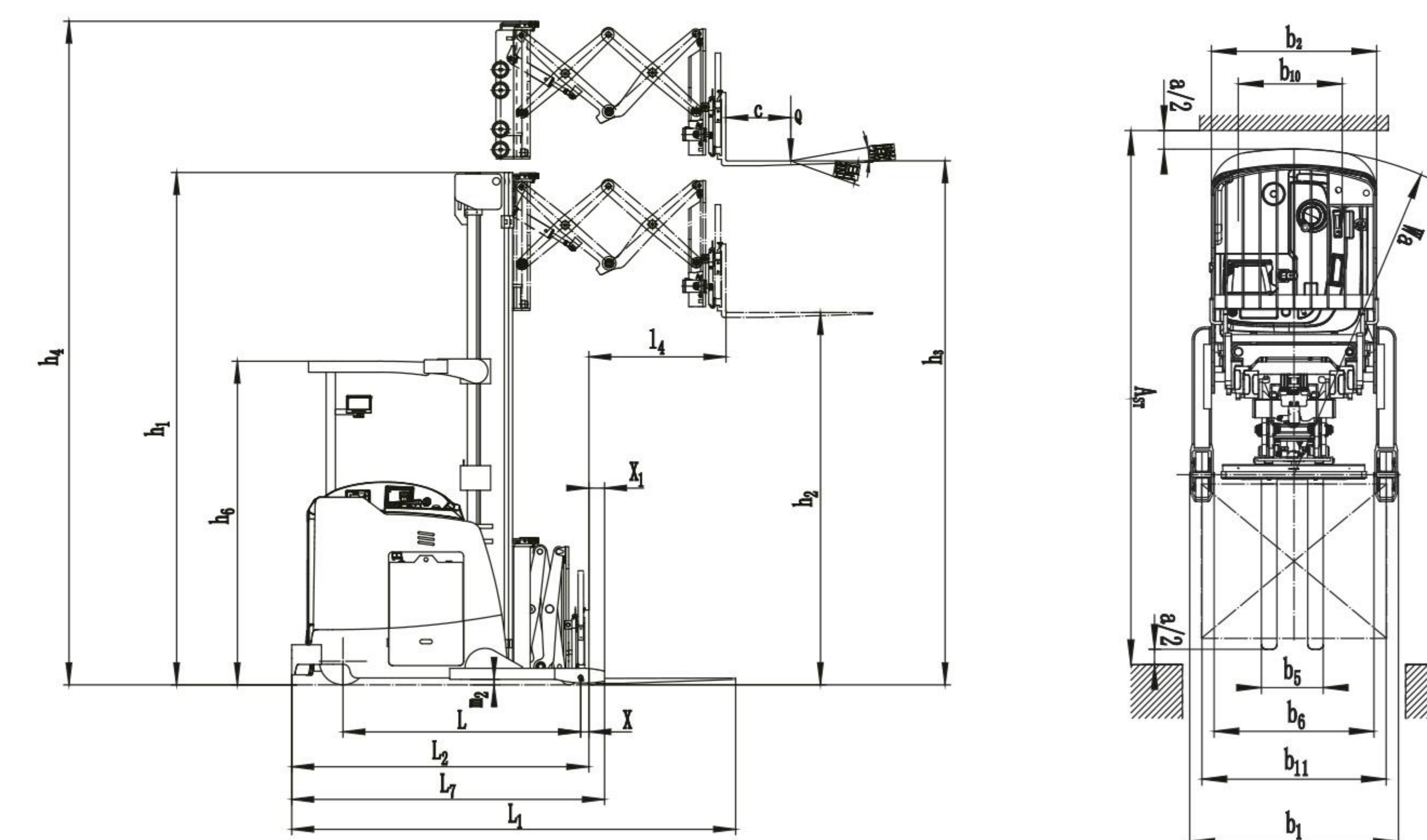
Curtis controller and display
36volt CURTIS AC control system, smaller electric current to ensure the reliability of the battery system. Multi-function display for battery status, hour meter, fault code, slow running state, etc.



Heavy mast steel
C type heavy gauge mast steel from Germany, met with RUYI's structure design and construction delivers powerful performance and superior reliability.

Model	CQDH20C (double scissor)	
Drive type		battery
Load capacity/rated load	Q(kg)	1600
Load centre distance	c(mm)	600
Load distance, centre of drive axle to fork	x(mm)	63
Tyre size, front	mm	343x140+160x60x2
Tyre size, rear	mm	125x82x4
Wheels, number front rear(x=driven wheels)		1x+2/4
Mast/Forks, tilt forward/back	Grad	2/5
Height, lowered	h ₁ (mm)	3743
Free lift	h ₂ (mm)	2756
Max. lift height	h₃(mm)	9000 (Triplex mast)
Height, mast extended	h ₄ (mm)	10104
Height of overhead guard	h ₅ (mm)	2362
Overall width	b ₁ /b ₂ (mm)	1070
Overall length	l ₁ (mm)	3250
Length to face of forks	l ₂ (mm)	2180
Fork dimensions	s/e/l(mm)	40x100x1070
Reach distance	l ₃ (mm)	1000
Width overall forks	b ₃ (mm)	200-920
Wheelbase ground distance	m ₂ (mm)	40
Aisle width, with pallet 1000x1200 crosswise	A ₁ (mm)	3609
Aisle width, with pallet 800x1200 lengthwise	A ₂ (mm)	3667
Turning radius	W ₁ (mm)	2145
Travel speed, laden/unladen	Km/h	10.5/11
Lift speed, laden/unladen	m/s	0.297/0.403
Lowering speed, laden/unladen	m/s	0.468/0.489
Battery voltage, nominal capacity K5	V/Ah	36/1000
Battery weight	kg	1200
Battery dimensions	mm	978x537x765
Service weight(with battery)	kg	5800

DIMENSIONS



CQDH20C (double scissors)